

SANDWICHES

toasty cheese sandwich

white or whole grain bread / 6

mitynice cheeseburger

lettuce, tomato, mayonnaise, american cheese / 6

hot dog with fries / 6

all sandwiches come with french fries or a healthy choice

BIG PLATES

macaroni & cheese

fresh-cut fries or sweet potato fries / 6

crispy chicken tenders

fresh-cut fries or sweet potato fries / 6

roasted turkey dinner

cranberry sauce, real mashed potatoes & baby carrots / 8

fish & chips

hand-cut fries and tartar sauce / 9

maple-glazed salmon

real mashed potatoes & baby carrots / 10

HEALTHY CHOICES

feel free to substitute any above side

broccoli with cheese dip

apple sauce

carrots with ranch dip

red grapes

DESSERTS JUST FOR KIDS!

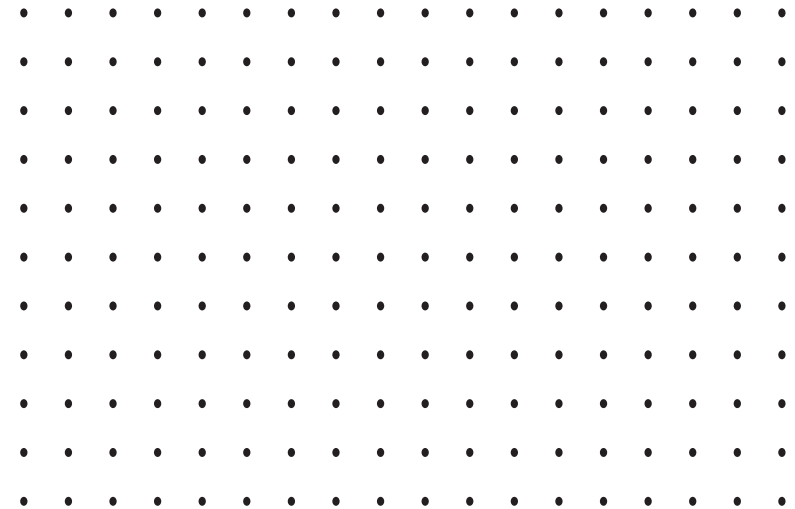
cup of dirt & worms / 2.5

ice cream sundae hot fudge or butterscotch / 2.5

MITYNICE KIDS

DOT GAME

Take turns connecting one dot to another dot. The player who completes a box writes his/her initials in the box. When all the dots are connected, the player with the most boxes wins.



MITY FUNNY!

Q: Why did the turtle cross the road?

A: To get to the shell station!

Q: Did you hear about the restaurant on the moon?

A: Great food but no atmosphere!

Q: Why did the silly gardener plant a light bulb?

A: He wanted to grow a power plant!

Q: How do you fix a broken tomato?

A: Tomato paste!

Q: What do you call a scared tyrannosaurus?

A: A Nervous-Rex!

Q: Why didn't the shrimp share?

A: Because he was a little shellfish!

Q: What do you call a peanut in a spacesuit?

A: An astronaut!

MITY BRUNCH

SANDWICHES

toasty cheese sandwich

white or whole grain bread / 6

mitynice cheeseburger

lettuce, tomato, mayonnaise, american cheese / 6

hot dog with fries / 6

all sandwiches come with french fries or a healthy choice

BIG PLATES

macaroni & cheese

fresh-cut fries or sweet potato fries / 6

crispy chicken tenders

fresh-cut fries or sweet potato fries / 6

eggs your way

white toast, choice of pork sausage or applewood smoked bacon / 8

buttermilk pancakes

seasonal berries, maple syrup / 9

HEALTHY CHOICES

feel free to substitute any above side

broccoli with cheese dip apple sauce

carrots with ranch dip red grapes

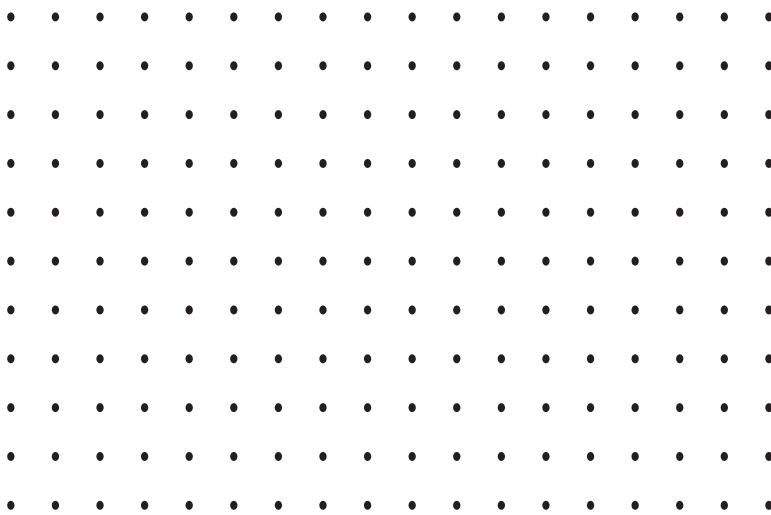
DESSERTS JUST FOR KIDS!

cup of dirt & worms / 2.5

ice cream sundae hot fudge or butterscotch / 2.5

DOT GAME

Take turns connecting one dot to another dot. The player who completes a box writes his/her initials in the box. When all the dots are connected, the player with the most boxes wins.



MITY FUNNY!

- Q: Why did the turtle cross the road?**
A: To get to the shell station!
- Q: Did you hear about the restaurant on the moon?**
A: Great food but no atmosphere!
- Q: Why did the silly gardener plant a light bulb?**
A: He wanted to grow a power plant!
- Q: How do you fix a broken tomato?**
A: Tomato paste!
- Q: What do you call a scared tyrannosaurus?**
A: A Nervous-Rex!
- Q: Why didn't the shrimp share?**
A: Because he was a little shellfish!
- Q: What do you call a peanut in a spacesuit?**
A: An astronut!

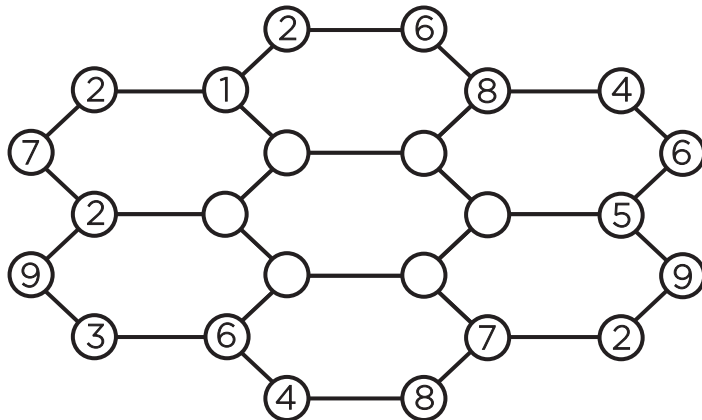
SUDOKU

Fill in the board so that the numbers 1 through 9 appear only once in each row, column and 3 x 3 box.

6	8			9				5
		5			2		9	1
	9		3			7		
		7	9	2	4	1		3
	6	1		3		9	8	
4		9	8	6	1	5		
		3			9		1	
5	2		4			3		
9				7			5	8

NICE PUZZLE

Fill in each blank circle with a one digit number, so that the six numbers around every hexagon equal 30.



STUMP YOUR PARENTS!

Q: How old is our Earth?

A: The Earth is approximately 4.5 billion years old!

Q: What occurs once in a second?

A: The letter "n".

Q: If everyone in the U.S. recycled their newspapers just one day a week, how many trees would we save?

A: We would save about 36 million trees a year!

Q: Can you lick your elbow?

A: 1% of the population can lick their elbow, and 90% of all people who hear this try!

Q: Who can repeat these tongue twisters three times?

1. Pass the pink peas please.
2. Fresh fried fish, fish fresh fried, fried fish fresh, fish fried fresh.

MITY WORDS

- COURTEOUS
- FRIENDS
- HANDSHAKE
- HELP
- KIND
- LISTEN
- RECYCLE
- RESPECT
- SHARE
- SMILE

D H E I V S Q X O Z U O
 L N H K M L L V M F H Z
 Z Y I I A L Q Z G X S D
 S T L K H H D X K U H O
 D E C R N T S Q F V A O
 N J T I V M Z D E Y R I
 E G I L Y F E V N Z E X
 I T H R I L E G A A B L
 R K H N C S M E H O H Q
 F G N Y P G T F N H K J
 P P C R E S P E C T X S
 E E P L E H N T N B Z T
 R H Q S U O E T R U O C
 U B K P J H E C L D J O
 I Y U Y J S G O W N J A